



# PM-13

## "FUZZYBOX" MONO PREVIOUS FOR ELECTRICAL GUITAR.

The PM-13 module is a mono previous with "Fuzzybox" function for electrical guitar. Thanks to two potentiometers inserted in the PCB, the module allow to limit a signal, to cut the signal and to inject harmonics. It includes connection terminals as well as protection against polarity inversion.

**Please read the complete manual instructions before to use it in order to obtain a correct operating.**

### TECHNICAL CHARACTERISTICS.

Voltage. ....	From 9 to 15 V. C.C.-300mA.
Minimum Consumption. ....	10 mA.
Maximum Consumption. ....	90 mA.
Minimum Input Signal. ....	50 Mv.
Maximum Input Signal. ....	300 mV.
Protection Against Polarity Inversions. ....	Yes.

### OPERATING.

**POWER SUPPLY.** The PM-13 circuit had to be supplied by a voltage from 9 up to 15 VDC correctly filtered. We recommended you the FE-71 power supply which has been developed to perfectly answer to the circuit needs or 9-12 V DC. Battery for mobile applications.

Install a fuse and a switch as it is indicated on the General Wiring Map. Both are necessary for a correct protection of the module as well as for your own safety as it is required by the CE rule.

Connect the positive of the power supply to the positive terminal indicated in the wiring map, then connect the negative of the power supply to the negative terminal indicated in the circuit. The maximum distance had to be 25 cm. **Verify that the assembly is correct.**

To obtain a correct operating mode, we recommend you to insulate the module form mains parasites placing a mains filter between 230 V. AC terminals and transformer. See the "How to install a mains filter" paragraph.

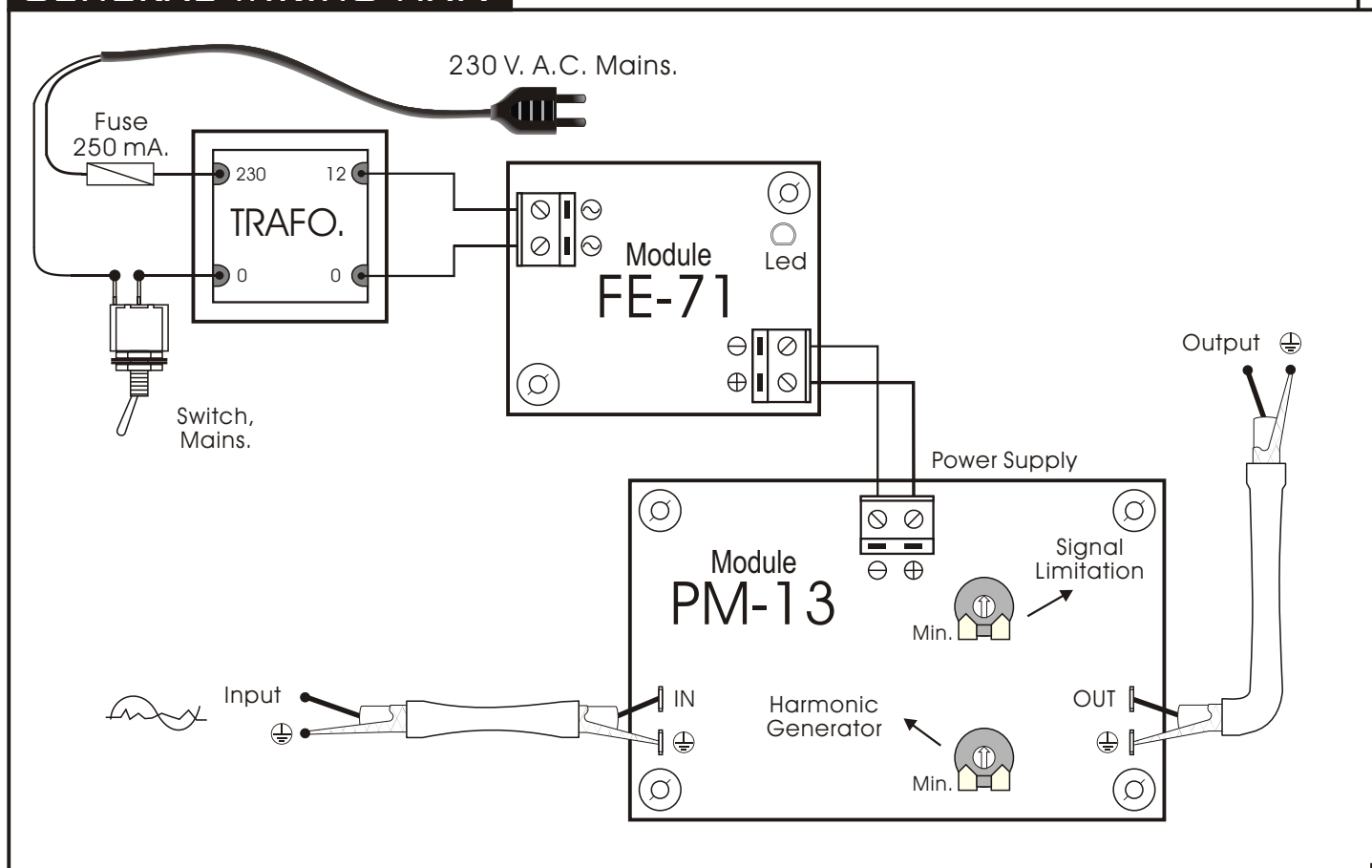
**OPERATING.** The PM-13 module basically offers two effects; signal limitation and harmonics generator. Both combined offer a better sound for an electrical guitar. See the connection in the General Wiring Map paragraph. The module includes two potentiometers or variable resistors, the potentiometer indicated as "Signal limitation" which increase the parameter if you turn to the right. The potentiometer indicated as "harmonics generators", operate in the same way, injecting harmonics on the output signal when you turn it to the right.

**DO NOT FORGET.** To connect output and input signals on length superior than 25 cm. You have to use shieldad cable and never have a lenght superior than 50 cm. Then, to avoid interfrnce problems, we recommend you to install the module into a metallic enclosure and connecting the negative to it.

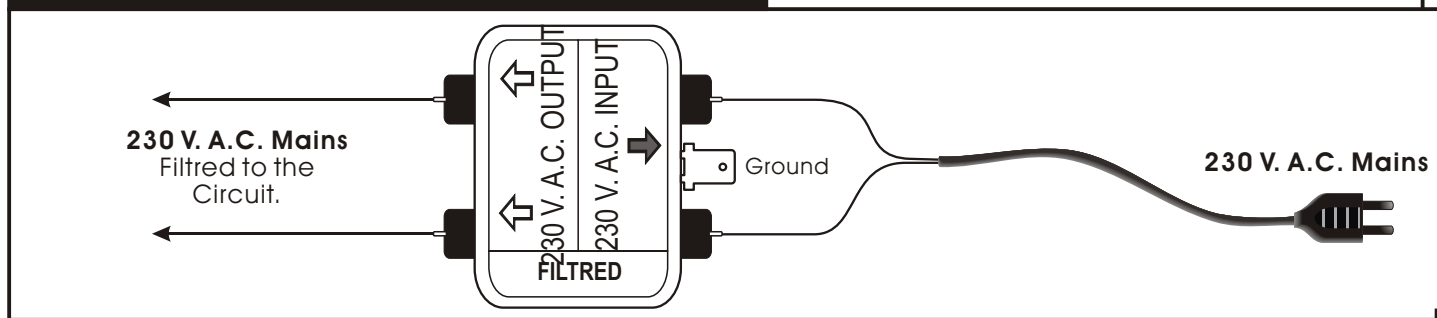
**EXTERNAL CONNECTION OF POTENTIOMETERS.** If you wish to substitute variable resistors included in the PCB and use external potentiometers, you have to remove Rv1 variabel resistor and install a 100 K logarithmic potentiometer and Rv2 with 10K logarithmic potentiometer. Cable had to be inferior than 25 cm.



### GENERAL WIRING MAP.



### HOW TO INSTALL A MAINS FILTER.



### CONSULTAS TECNICAS.

For any questions or more information:.

- **By Fax.** Las 24 Horas. (93) 432.29.95
- **By E-Mail,** [sat@cebek.com](mailto:sat@cebek.com)
- **By Mail.** c/Quetzal, 17-21. Entlo.2ª (08014) BARCELONA.
- **Keep you invoice.** For any repairing could you send this with module. Else, the module will lost the warranty.

**MORE 300  
MODULES.**

All the module's CEBEK have **3 years of total warranty** in thechnical repairing, and spares from the date of buy.

CEBEK is trade make of FADISEL S.L. more than 300 module's are available in stock for any purpose **request our CATALOGUE**, or visit our Web. [Http://www.cebek.com](http://www.cebek.com)

**WARRANTY**

**3  
YEARS**