



R-15

2 OUTPUTS. PROFESSIONAL AUTOMATISM for NATIVITY SCENE.

The R-15 module is an automatism, which allows to automatically and cyclically generate "Daybreak, Day, Nightfall and Night", with independent times adjustment for Daybreak-Nightfall as well as for Day-Night. It also has an output that will be activated after the day or the night according to its configuration. It includes connection terminals.

TECHNICAL CHARACTERISTICS.

Voltage.	230 V. AC.
Minimum Consumption.	0.2 mA.
Maximum Consumption.	100 mA.
Minimum Load per Output.	50 W.
Maximum Load per Output.	500 W.
Effects timing.	From 1 till 120 sec. / From 1 till 120 min.
Protection Fuse.	4 A.

OPERATING MODE.

POWER SUPPLY. The Circuit R-15 has to be supplied by 230 VAC. Using an adequate plug and a cable for mains connect this last one to the input terminal 230 VAC. Install a fuse and a switch as it is indicated in General Wiring Map (see hereafter). Both are necessary to protect the module and for your own security, as it is indicated in EEC regulations. Then, verify that you have correctly connected the module.

Before to connect the module to the mains inserting voltage, please do the rest of connections specified hereafter. Do not forget that in several part of the module there is voltage (230 VAC), for this reason we suggest you to be careful.

Note. Connections indicated as 230 VAC in the wiring map have to be connected to 110 VAC. in Americans countries. Cebek's Modules and/or transformers will be supplied with corresponding modifications for their connection in these countries.

OUTPUTS CONNECTION. LOAD. The module accepts resistive loads like lamp, resistors, etc... DO never connect at the output inductive loads like transformers, neon, Halogen lamp with transformer, etc... The minimum load per output is 50 W., if you connect an inferior load the module doesn't operate correctly. Also, the maximum load per output is 500 W., do never over pass this load to avoid to damage the circuit.

To connect outputs, you have to connect lamps or load that you wish to apply to the terminals indicated in the "General Wiring Map" paragraph. Then, install a 2A. rapid fuse at each output.

OPERATING MODE. The R-15 module allows to automatically and cyclically generate Daybreak, Day, Nightfall and Night effects. The module has two outputs : Day & Night effect output and Auxiliary output. Day effect output. This output is charged to automatically generate 4 effects composing the virtual day. Regarding the power supply of the circuit, this one automatically start the day sequence, constantly repeating this cycle (Daybreak, Day, Nightfall, and Night) till you disconnect the power supply. The effect time could be regulated adjusting the day representation according to the end-user needs. The adjustment is done thanks to two potentiometers inserted in the module. See "General Wiring Map" paragraph. The potentiometer referenced as "Rampas" will adjust Daybreak and Nightfall effect times assigning the same time for both. The "Day/Night" potentiometer will adjust two effects with the same time for day and for night. There are two time scales available : Seconds and Minutes. The R-15 module has a battery composed by 2 switches referenced as INT-1. If you wish to operate in Minutes scale and that potentiometers could adjust between 1 and 120 min, you have to place the switch 2 of the INT-1 battery in ON position. If you wish to

TIMES SCALE SELECTION.



Timing Adjustment (From 1 till 120 sec.).



Timing Adjustment (From 1 till 120 min.).



LIGHT REGULATORS.

Ref. Full9851

R-15

OPERATING MODE.

operate in Seconds scale and that potentiometers could adjust between 1 and 120 sec, you have to place the switch 2 of the INT-1 battery in OFF position.

Auxiliary output. The function of this output is easy. According to its configuration and thanks to the switch 1. If

AUXILIARY OUTPUT CONFIGURATION.

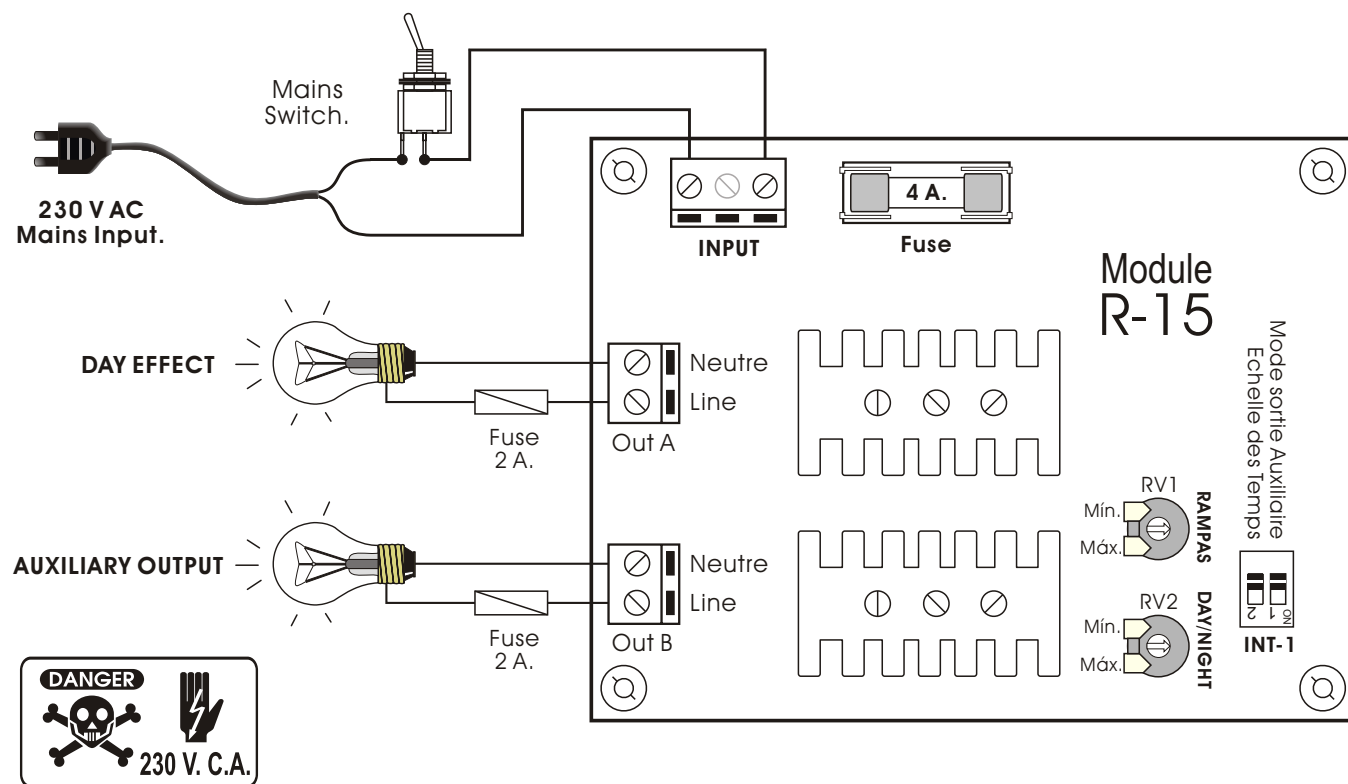


Operating ONLY with Night effect.



Operating ONLY with Day effect.

GENERAL WIRING MAP.



TECHNICAL CONSULTATIONS.

If you have any doubt, you could contact your wholesaler or our Technical Department.

- E-Mail, sat@cebek.com | Fax. 34.93.432.29.95 | by mail. P.O. Box. 23455 - 08080 Barcelona - Spain.

- **Keep the invoice of this module.** For any repair, the corresponding invoice had to be added. If the invoice is not presented together with this module, the module's warranty will be automatically cancelled.

All the module's CEBEK have **3 years of total warranty** in technical repairing, and spaces from the date of buy.

Much more CEBEK module's are available in our products range, please, require our general catalogue or visit our Web side: [Http://www.cebek.com](http://www.cebek.com)

