



TL-10

2 CHANNELS FLIP-FLOP RECEIVER REMOTE CONTROL

The TL-8 is a 2 channels remote control flip-flop receiver supplied by 230 VAC with relay output working by radio-frequency. It will recognize the signal from TL-5 or TL-6 emitters, verify the security code and maintain the output connected until you stop to press the push button of the emitter.

You could configure your own security code (between 13.122 possibilities) as well as to work with the TL-5 or the TL-6 Cebek emitters. It includes micro-switches to select the code, antenna output, led and acoustic signal for the output as well as connection terminals.

TECHNICAL CHARACTERISTICS.

Voltage.	230 V. AC.
Minimum Consumption.	20 mA.
Maximum Consumption.	110 mA.
Operating Frequency.	433.92 Mhz.
Maximum Reach (approximately)	20 - 30 m.
Maximum Load at Output.	3 A.

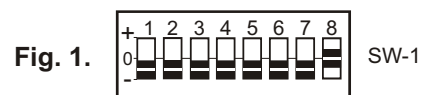
OPERATING.

MODULE'S SUPPLYING. The Circuit TL-10 had to be supplied by 230 VAC. Using an adequate plug and a cable for mains connect this last one to the input terminal 230 VAC. Install a fuse and a switch as it is indicated in General Wiring Map (see hereafter). Both are necessary to protect the module and for your own security, as it is indicated in EEC regulations. Then, verify that you have correctly connected the module.

Before to connect the module to the mains inserting voltage, please do the rest of connections specified hereafter. **Do not forget that in several part of the module there is voltage (230 VAC)**, for this reason we suggest you to be careful.

OPERATING. All CEBEK remote control works with a frequency adjusted at 433.92 MHz. For this reason, the TL-10 module includes micro-switches (SW-1) allowing to configure a security code between 13.122 possibilities, for each module. Then, your module will be different from others, even if they offer same characteristics. Seeing the drawing N°1, you could note that the micro-switches SW-1 have 8 switches with three different positions: "-", "0" and "+". You have to modify the switches position that you have received in order to select you personal code.

Do not forget. The receiver and emitter have to have the same code. Once emitter and reciver are configured with the same code, you could supply the module. Then, press the push button on the emitter and the corresponding output will be connected till you press again the button, to disconnect the output.



ANTENNA INSTALLATION. To obtain a maximum and clear reception, you have to install an exterior antenna. Seeing the paragraph "General Wiring map", install a metallic antenna with a length of 130 mm. The cable between antenna and module had to be shielded and inferior than 25 cm. Connect the negative terminal to the ground.

OUTPUT CONFIGURATION. Even if the receiver TL-10 have been developed to control its corresponding emitter with 2 channels (TL-6 module), it also could be controlled by the TL-5 module. 1 Channel emitter. Then, you have to select between two push buttons the wished receiver output.

From the factory, the module is supplied to be controlled by the TL-6 module (with JP1 Jumper closed). To control the TL-10 thanks to the TL-5 module, you have to select which output will be connected after to press the push button. Then, you have to remove the "JP" piece of the JP1 Jumper and with it closed the JP2 jumper. Selecting one of two jumpers, you could select the required output.



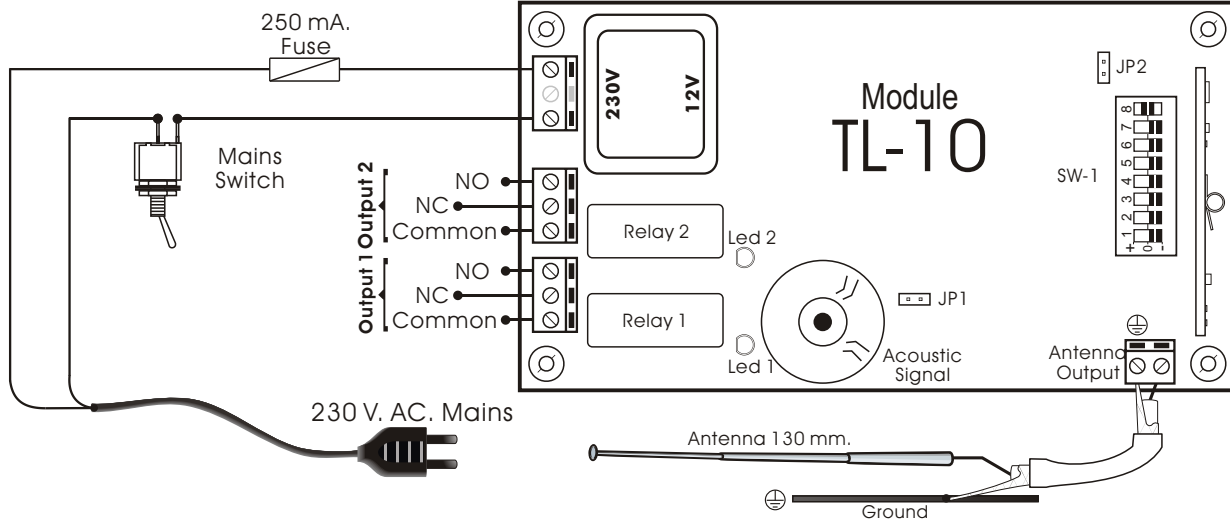


REMOTE CONTROL

TL-10

Ref. Full19924

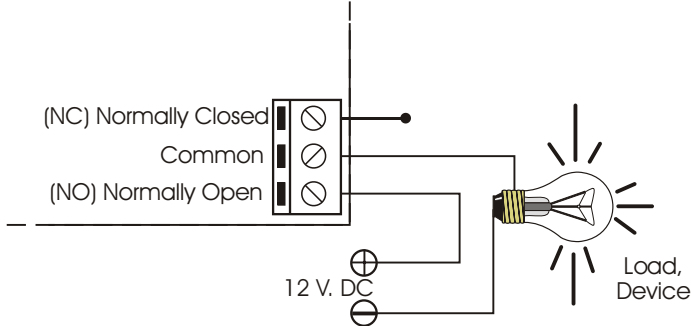
GENERAL WIRING MAP.



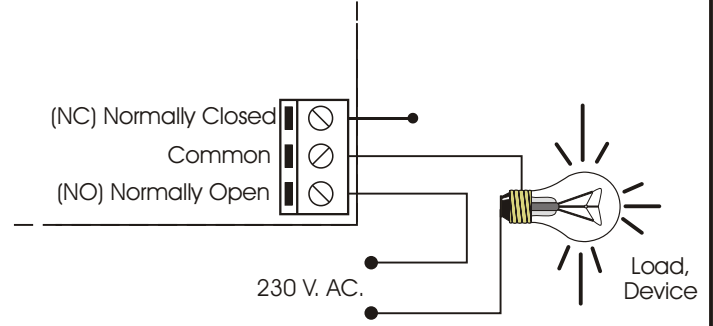
LOADS CONNECTION.

OUTPUT CONNECTION. LOAD. The TL-10 output is controlled by a relay, and accept any device up to 3 A. The relay have three output terminals: The normally open quiescent (NO), the normally closed quiescent (NC) and the common. This mechanism operate like a switch with two terminals NO and Common. For the inverse function you have to use the NC and Common. In the drawing hereafter, you could see a typical connection with a 12 V D.C and 230 V A.C devices.

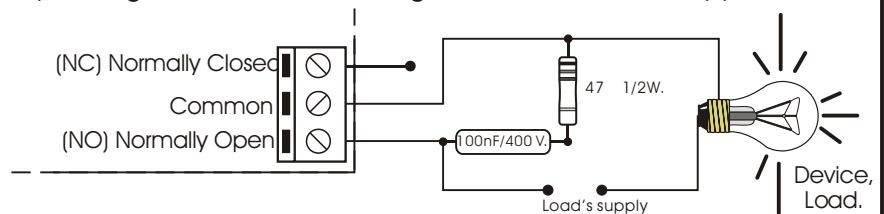
12 V. DC. CONNECTOR



230 V. AC. CONNECTION



INFORMATION ABOUT THE OUTPUT. During the operating mode and according to its load, it could happen a fluctuation or an incorrect working of the output. In such case, you have to install an anti-spark circuit between both contacts of the used relay, as it is indicated on the schedule.



TECHNICAL CONSULTATIONS.

If you have any doubt, you could contact your wholesaler or our Technical Department.
 - Via E-Mail, sat@cebek.com | by mail P.O Box 23455 - 08080 BARCELONA - SPAIN.

**MORE 300
MODULES.**

All the module's CEBEK have **3 years of total warranty** in the technical

CEBEK is trade make of FADISEL S.L. more than 300 module's are available in stock for any purpose **request our CATALOGUE**, or visit our Web. [Http://www.cebek.com](http://www.cebek.com)

WARRANTY

**3
YEARS**