



CD-32

DIGITAL CLOCK FOR OFFICE.

123

The CD-32 circuit is a digital clock specially recommended for offices, meeting rooms or places requiring to clearly see hour and date.

The module use 13,5 mm displays and alternatively see hour and date allowing AM/PM or 24 Hours format. It includes battery to maintain hour without supplying module, control keyboard, front panel and terminals to

TECHNICAL CHARACTERISTICS.

Voltage	12 V. DC.
Minimum Consumption.	70 mA.
Maximum Consumption.	100 mA.
Hour Format.	24 H.
Date Format.	Day, month & year.
Hour/Date Intermittent Time.	5 sec.
Display.	6 x 0,5" Displays (13.5 mm.) And leds.
Battery.	CR-20 (3 V.)
Protection against polarity inversion	Yes.

OPERATING.

POWER SUPPLY: The CD-32 circuit had to be supplied by a 12 VDC power supply.

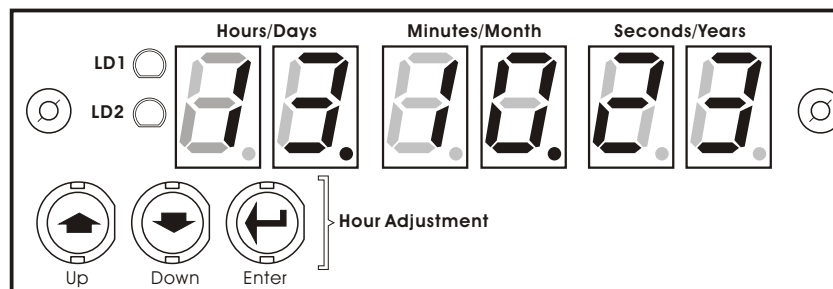
Then, we recommended you the FE-2 power supply which has been developed to perfectly answer to the circuit needs. Connect the positive and the negative terminals of the power supply to the positive and negative terminals indicated in the circuit. Do not activate the switch before reading the rest of the instruction manual.

Verify that the assembly has been correctly done.

OPERATING MODE: The CD-32 is a clock allowing to alternatively see hour and date designed on the basis of a Quartz oscillator guaranteeing the maximal exactitude.

TO ADJUST THE HOUR : Before to activate the CD-32 module, you have to adjust the hour. You have to press the enter button placed in the front of the module till the LD1 Led will intermittently light. Then minutes and seconds displays will intermittently light and hour display is lighting on.

To adjust the clock, do not forget that when a display is lighting on you could modify it but if the display intermittently light it is in stand by. Firstly you have to adjust the hour display and pressing on Up /Down button you could increase or decrease the number. If any of these buttons is pressed during more than 1 sec. the change will be quickly done.



Module Front Panel

When hours are adjusted, you have to press again the enter push button. Then the minutes display is lighting on to allow you to adjust. As soon as you have finish this operation you have to press the enter button. With each "enter" pressing, you could select all hour & date components (hour, minutes, days, month, etc...) and adjust them thanks to up and down buttons.

After adjusting years, when you press the enter button the hour adjustment will be displayed and the LD1 led will light off to definitively display the standard hour.

OPERATING.

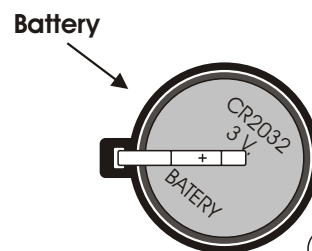
HOUR FORMAT : The module offers the possibility to display hours in 24 Hours or AM/PM format. To select the wished format you have to find the JP1 jumper on the PCB. Then, if you close or connect the 2 terminals of this jumper, the CD-32 module will display the hour according the AM/PM format and LD2 led will light to indicate PM hours. If you leave open both terminals of the JP1 jumper the module will display the hour 24 H format.

HOW TO CHANGE THE BATTERY.

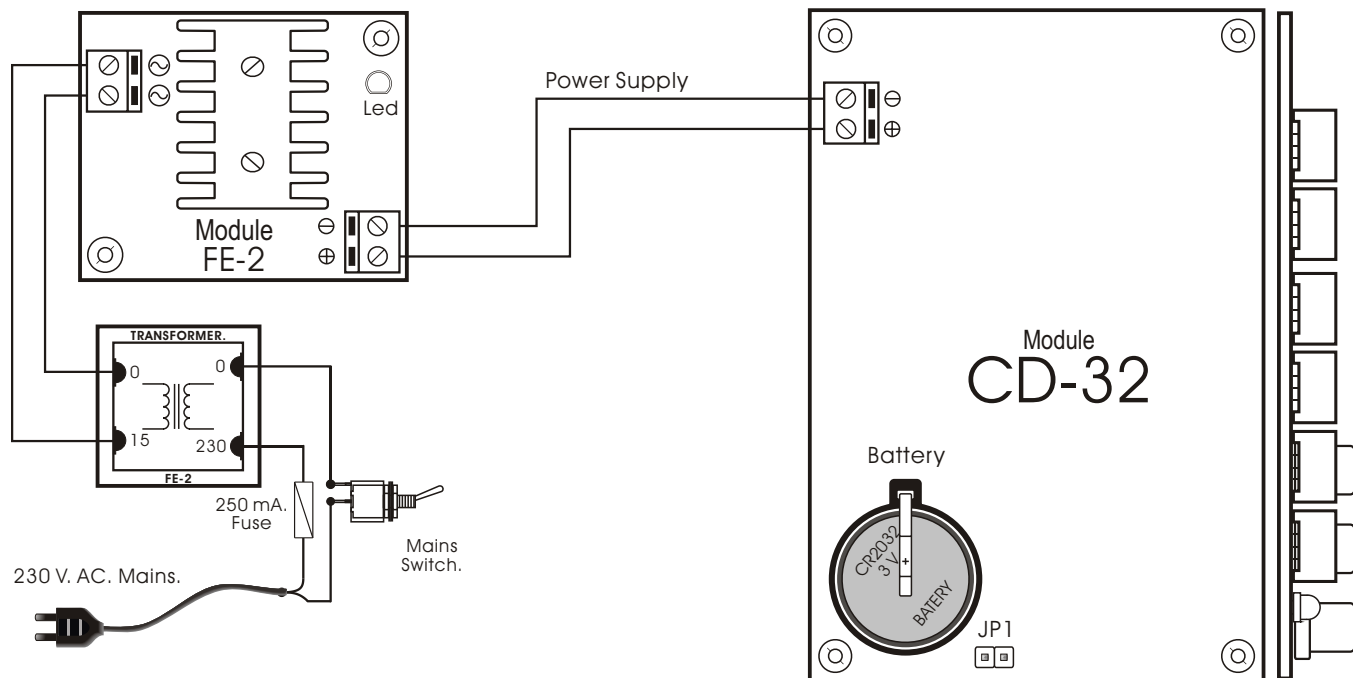
DO NOT FORGET :When you stop to supply the module, the module maintain the timer thanks to a battery. The hour is not displayed till you supply again the module. This battery will be discharged according to its use. If you do not change the battery, the module could not recuperate the hour if its supplying is stopped.

The required battery is a CR-2032 with 3 V. that you could obtain in specialised distributors.

To change it you have to carefully respect its polarity seeing the drawing. Do not change the battery with the module supplied.



GENERAL WIRING MAP.

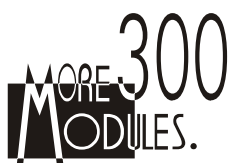


TECHNICAL CONSULTATIONS.

If you have any doubt, you could contact your wholesaler or our Technical Department.

- Via E-Mail, sat@cebek.com | by mail c/Quetzal, 17-21. (08014) BARCELONA.

- **Keep the invoice of this module.** For any repair, the corresponding invoice had to be added. If the invoice is not presented together with this module, the module's warranty will be automatically cancelled.



All the module's CEBEK have **3 years of total warranty** in thechnical repairing, and spares from the date of buy.

CEBEK is trade make of FADISEL S.L. more than 300 module's are available in stock for any purpose **request our CATALOGUE**, or visit our Web.

[Http://www.cebek.com](http://www.cebek.com)

WARRANTY

3 YEARS