



# RJ-4

## LONG DISTANCE INFRA RED EMITTER.

The RJ-4 module is an infra-red emitter could emit up to 8 meters as maximum, to an infra-red receiver controlling a load.

It is possible to adjust according light and distance conditions.

It is supplied by 12 VDC and Suggested power supply is our FE-2 module.

Because all hereafter information are important, please read carefully the instruction manual to obtain a correct module operating.

### TECHNICAL CHARACTERISTICS.

Voltage .....	12 VDC.
Maximum Consumption .....	140 mA.
Maximum Reach .....	8 m.
Protection Against Polarity Inversions .....	Yes.

### OPERATING.

#### OPERATING

The RJ-4 has to be supplied by 12 VDC, and we suggest you our FE-2 module which have been specially designed to answer to the circuit needs.

Connect the positive terminal of the power supply to the positive terminal of the module and do the same thing with the negative terminal. Verify that the assembly have been correctly done.

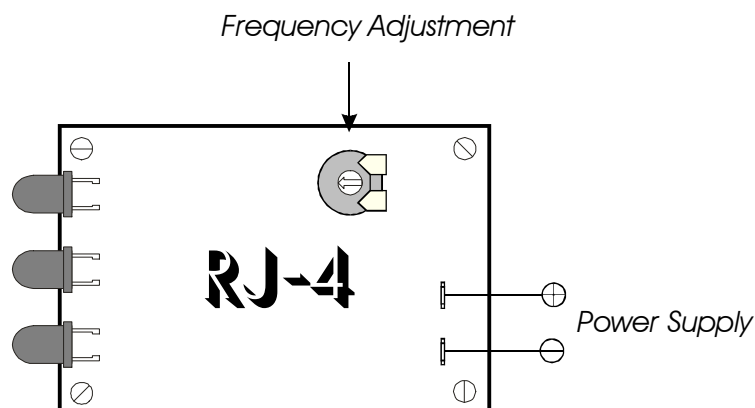
#### INSTALLATION

Do not forget that the place and the circuit connection will be essential to obtain a perfect module's operating. Place the circuit on a solid and plane surface and bring the emitter into alignment with the receiver. This alignment has to be vertical and horizontal (at the same height that the receiver). See the "wiring map"

#### ADJUSTMENT

The RJ-4 module allows an adjustment according wished light and distance. If you note that because of the distance or an excess or lack of light the module do not correctly works, you have to adjust the

### CONNECTION.



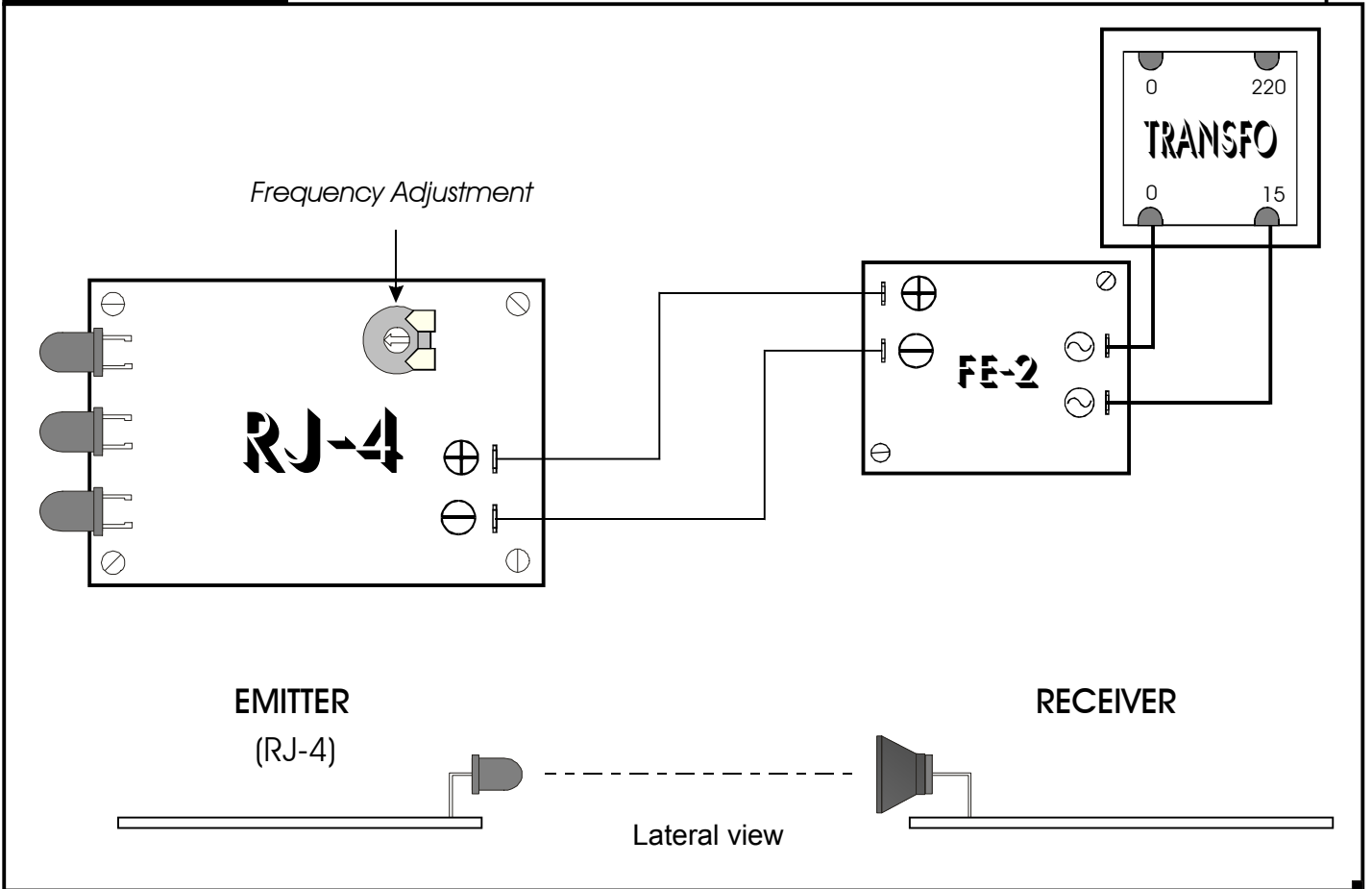


# PHOTOCELLES.

Ref. Full9748\_Ang.

# RJ-4

## WIRING MAP.



## SUGGESTIONS.

**OPERATING:** Do not install any object before the phototransistor (including glass) to avoid to reduce or suppress its reception capacities.

**POWER SUPPLY:** The used power supply for emitter and receiver have to be different. If you could not use 2 different power supply, try to install the power supply as near as possible of the RJ-5 and use cables till RJ-4

## TECHNICAL SUPPORT AND INFORMATION.

For any question or more information: E-Mail: [sat@cebek.com](mailto:sat@cebek.com)

**WARRANTY**

**3**  
**YEARS**